

Silicon NPN Power Transistors

2SC1212 2SC1212A

**DESCRIPTION**

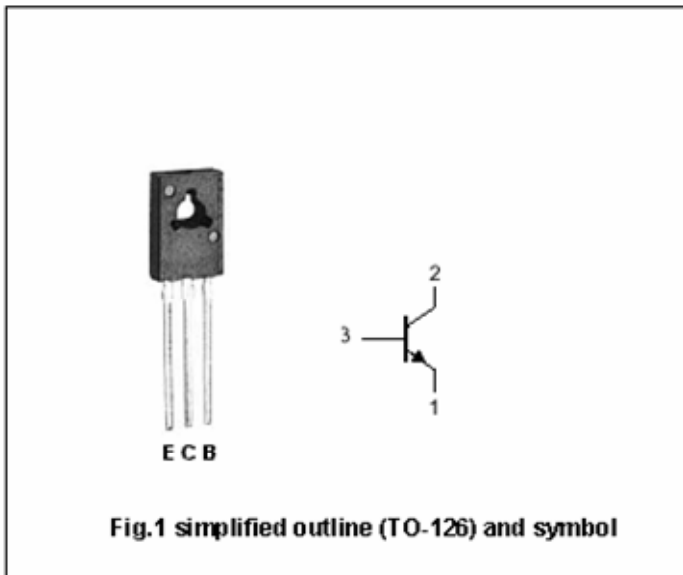
- With TO-126 package
- Complement to type 2SA743/743A

**APPLICATIONS**

- For low frequency power amplifier applications

**PINNING**

PIN	DESCRIPTION
1	Emitter
2	Collector;connected to mounting base
3	Base



**Absolute maximum ratings(Ta=25?)**

SYMBOL	PARAMETER	CONDITIONS	VALUE	UNIT
V <sub>CBO</sub>	Collector-base voltage	2SC1212	50	V
		2SC1212A	80	
V <sub>CEO</sub>	Collector- emitter voltage	2SC1212	50	V
		2SC1212A	80	
V <sub>EBO</sub>	Emitter-base voltage	Open collector	4	V
I <sub>C</sub>	Collector current		1	A
P <sub>D</sub>	Total power dissipation	T <sub>a</sub> =25?	0.75	W
		T <sub>C</sub> =25?	8	
T <sub>j</sub>	Junction temperature		150	?
T <sub>stg</sub>	Storage temperature		-55~ +150	?

## Silicon NPN Power Transistors

## 2SC1212 2SC1212A

## CHARACTERISTICS

T<sub>j</sub>=25? unless otherwise specified

SYMBOL	PARAMETER		CONDITIONS	MIN	TYP.	MAX	UNIT
V <sub>(BR)CEO</sub>	Collector-emitter breakdown voltage	2SC1212	I <sub>C</sub> =10mA ; R <sub>BE</sub> =8	50			V
		2SC1212A		80			
V <sub>(BR)CBO</sub>	Collector-base breakdown voltage	2SC1212	I <sub>C</sub> =1mA ; I <sub>E</sub> =0	50			V
		2SC1212A		80			
V <sub>(BR)EBO</sub>	Emitter-base breakdown voltage		I <sub>E</sub> =1mA ; I <sub>C</sub> =0	4			V
V <sub>CEsat</sub>	Collector-emitter saturation voltage		I <sub>C</sub> =1A ; I <sub>B</sub> =0.1A			1.5	V
V <sub>BE</sub>	Base-emitter voltage		I <sub>C</sub> =50mA ; V <sub>CE</sub> =4V			1.0	V
I <sub>CBO</sub>	Collector cut-off current		V <sub>CB</sub> =50V ; I <sub>E</sub> =0			5	μA
h <sub>FE-1</sub>	DC current gain		I <sub>C</sub> =50mA ; V <sub>CE</sub> =4V	60		200	
h <sub>FE-2</sub>	DC current gain		I <sub>C</sub> =1A ; V <sub>CE</sub> =4V	20			
f <sub>T</sub>	Transition frequency		I <sub>C</sub> =30mA ; V <sub>CE</sub> =4V		160		MHz

U **h<sub>FE-1</sub> Classifications**

B	C
60-120	100-200

Silicon NPN Power Transistors

2SC1212 2SC1212A

PACKAGE OUTLINE

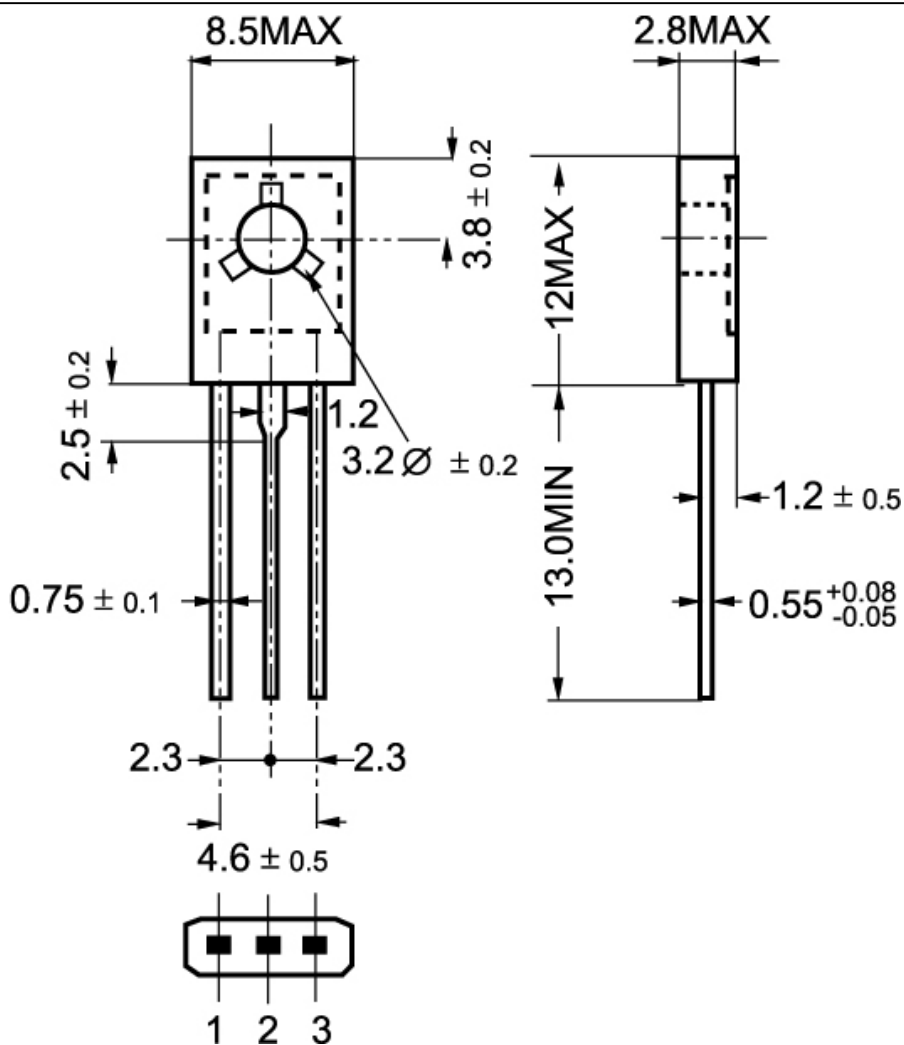


Fig.2 Outline dimensions

Silicon NPN Power Transistors

2SC1212 2SC1212A

